

**HFN-C Artist Installation Instructions Pickup For Nylon String Guitars**

To Install the HFN-C Artist you will need the following tools:

Electric drill, 1/2" spade or forstner bit, assorted drill bits to 1/2", x-acto, side cutters, needle nose pliers, small flat head jewellers driver.

**Important: Please read these instructions before installing the pickup system**

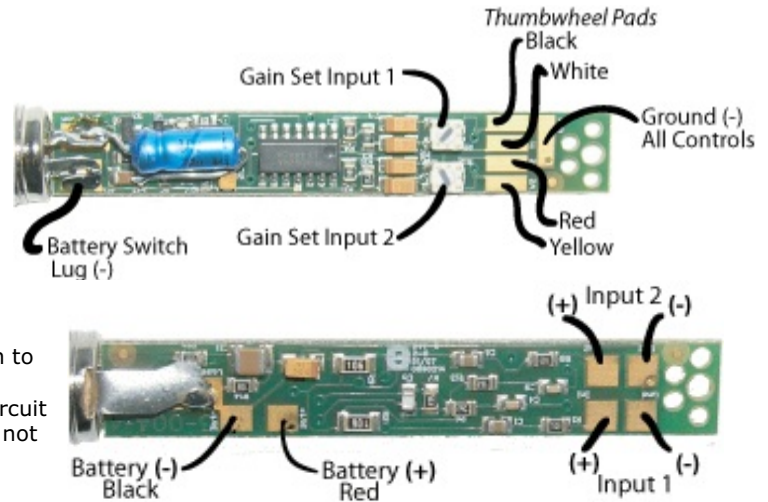
**Installing the Endpin Jack Preamp**

- 1) Slack off all six strings and remove them or tape them out of the way. Remove any end pin at the butt.
- 2) If the instrument had a strap button attached with a small screw, use either the spade or forstner bit to drill a pilot hole through the end block.
- 3) If the instrument had a strap button press fitted or glued into a tapered hole in the end block, you will need to gradually and carefully increase the diameter of the hole to 1/2" using either a tapered reamer or a succession of different drill bits concluding with a 1/2" size.
- 4) Remove the outer strap button, and the small nut and washer from the endpin jack.
- 5) Reach inside the sound hole and poke the endpin jack through the drilled hole in the end block. The jack should protrude approximately 5/16" outside the guitar. Reinstall the flat washer and small nut.
- 6) Insert a small allen wrench or other small round (a drill bit) through the 2 holes in the end of the endpin jack to keep the jack assembly from rotating; tighten the small nut.



**Setting the preamp gain**

- 1) The Artist II endpin jack preamp is a two channel preamp. On the preamp circuit board there is a trim pot for for setting the gain for each channel. As supplied with our HFN-C pickup, only one channel of the preamp is being used and that channel comes from the factory with the trim pot gain set at approximately 20 percent of maximum gain. The second channel may be utilized for a mic. If nothing is attached to this second channel, the trim pot must be turned fully off on the circuit board to avoid any noise. A small jewellers screw driver may be use to rotate the trim pot. Rotating it fully counterclockwise will turn the input gain to fully off.
- 2) It may be necessary to adjust the input gain on the preamp circuit board. If the input gain is set too low the amplifier or mixer may not process the signal properly. If the input gain is set too high then distortion may occur.



**Installing the Pickup**

Ideally, the under the bridge area where the pickup is to be mounted should be almost perfectly flat. However in most cases there is some curvature to that area caused by the pulling tension of the strings on the top. For most installations this minor curvature won't affect pickup performance. But, in some cases one has to adjust pickup fit. Please read section on String Balance and Troubleshooting for more information.

- 1) The pickup is meant to go as directly under the bridge and saddle as possible (and in line with it). The center arch of the pickup should span the center brace of the instrument. It is suggested that you take a measurement from the edge of the sound hole to the center of the saddle and cut a thin piece of scrap wood to the same length. When you have your hand inside the instrument you can use this 'stick' to help locate where the pickup should go.
- 2) Remove the backing from one side of the foam tape. With the foam tape sticky side up on a flat surface, place the feet of the pickup over the tape and press down to make the tape adhere to the feet.
- 3) Cut away the tape that now covers the center arch of the pickup, leaving the rest of the tape in place including the tape that spans the arches of the outer feet of the pickup.
- 4) Remove the remaining backing from the foam tape.
- 5) The black rectangle shown in **Fig 2** indicates the pickup placement. For instruments that do not have a bridge plate you may ascertain the correct position for the pickup by tapping on the saddle with your finger and feeling inside next to the center brace in the bridge area to find the spot with the most vibration. 6) Press the pickup firmly into place.

**Mounting Materials:**

Each pickup comes supplied with a quantity of 2 different thicknesses of double sided foam tape for mounting the pickup to the underside of the bridge plate or soundboard. Make sure that area that you're putting the pickup in is clean and dust free. If in doubt, wipe the underside area with a clean cloth or paper towel moistened with a little rubbing alcohol to clean off any grime.

- 1) The thicker mounting tape should be used in almost all installations. It provides the best balance and relative output for most instruments.
- 2) If your instrument is relatively stiff or not high in acoustic output, then the thinner tape may be used to boost output and response. The thinner tape will also bring in more top end to the pickup.

*Important: VHB tape may not be reused, it will only stick properly one time.*

### **Installing Thumbwheel Controls**

- 1) Thumbwheel controls are normally installed so that the black wheels extend just slightly beyond the edge of the soundhole on the bass side.
- 2) Feel inside your guitar, under the lip of the soundhole and find an area that is clean and flat and large enough for the control unit to sit flat. The control unit must sit flat in order for the VHB foam adhesive to hold properly. If a large enough flat area does not exist, a small thin wood plate may have to be glued in to provide the necessary flat room between braces.
- 3) Remove the backing from the VHB tape and while supporting the outside area of the soundhole, firmly press the control unit into place.

### **Installing the Battery Bag**

- 1) In order to make sure that the battery wires will reach to where you want to position it, install a battery in the bag and attach the battery connector.
- 2) Chose a spot on the inside of your guitar where you would like to place the battery. Make certain that you can reach the battery through the soundhole and that both the battery and the wires can remain out of sight. Make sure that the spot you chose is relatively flat and that it is clean and dry.
- 3) Once you have confirmed the location, peel the backing from the velcro pad and press it into place.

### **Finishing Touches**

- 1) Using the supplied wire holders, clamp the battery leads and pickup lead wire so they are secure. Reinstall the strings.

### **Preamp Specs:**

2 Channels, gain settable from 0 to 24 db. on each channel via the small white trim pot on each channel.  
Multiple power capability - The preamp may be run from a 9 volt battery onboard an instrument, or with phantom power (up to 48 volts d.c.) from a mixer or amplifier, or from an outboard battery pack (part RP-1). A special cable (part CAB-1) is required to run from either phantom power or battery pack.

### **CAB-1 Cable Specs:**

Optional Ten foot, 3 conductor cable, XLR male to TRS 1/4" stereo male.

XLR Pin		1/4" Stereo
Pin 1	= Ground =	Sleeve
Pin 2	= Signal =	Tip
Pin 3	= Power =	Ring

### **RP-1 Battery Box Specs:**

Optional remote 18 volt battery box, XLR female jack to 1/4" mono female jack, holds 2 x 9 volt d.c. batteries. Requires CAB-1 cable from instrument to RP-1. A standard guitar cord is used to connect from the 1/4" mono jack to a guitar amp